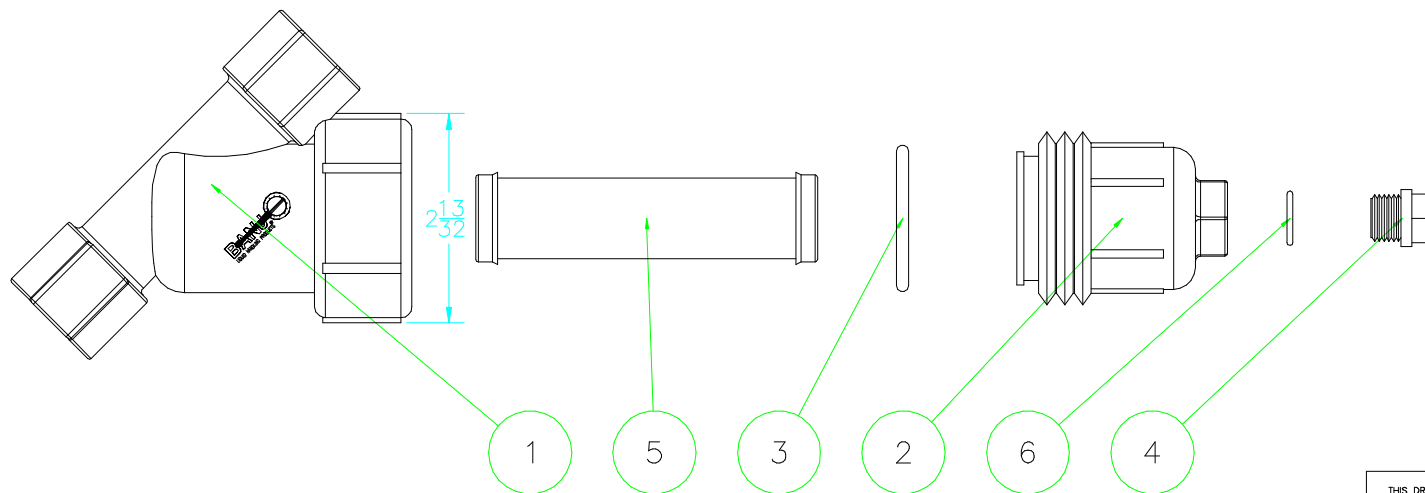
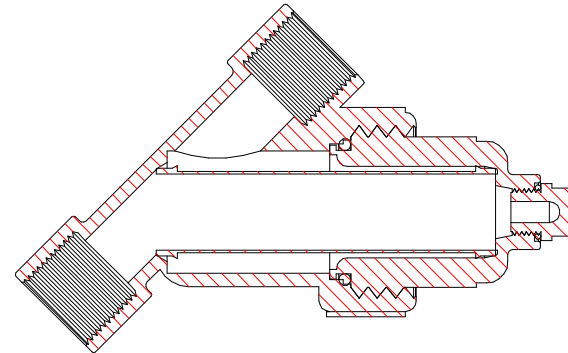
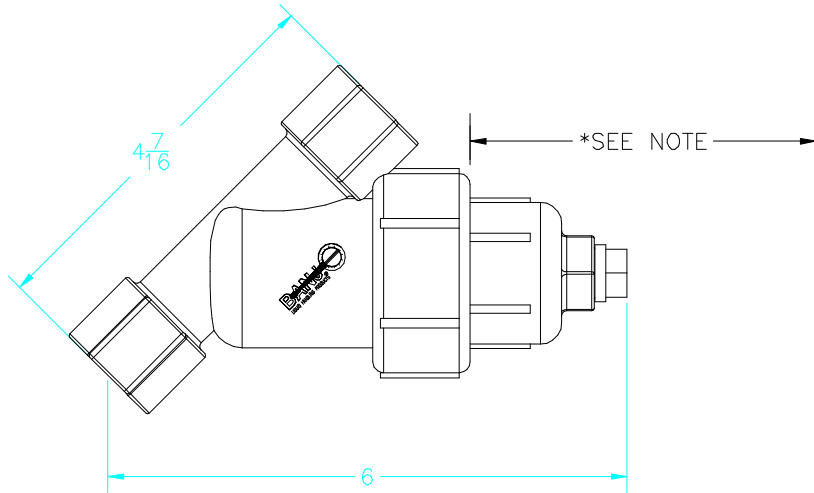
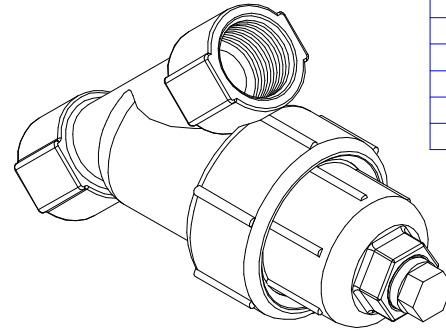


\*NOTE:  
 ADDITIONAL CLEARANCE REQ'D  
 FOR SCREEN REMOVAL: 4"

Parts List			
Item	Qty	PART NO.	DESCRIPTION
1	1	LS075B	LINE STRAINER BODY
2	1	LS075XC1	LINE STRAINER CAP
3	1	LS075G	LINE STRAINER GASKET
4	1	12723	DRAIN PLUG
5	1	LS720	LINE STRAINER SCREEN
6	1	12724	DRAIN PLUG GASKET



**BANJO**  
 LIQUID HANDLING PRODUCTS

BANJO CORPORATION  
 150 BANJO DR. \* CRAWFORDSVILLE, IN 47933

PART NO. LS075-20

TITLE  
 3/4" LINE STRAINER W/ #20 MESH SCREEN

THIS DRAWING AND ALL INFORMATION  
 CONTAINED THEREON ARE THE EXCLUSIVE  
 PROPERTY OF BANJO CORPORATION.  
 UNLESS SPECIFICALLY NOTED, THIS  
 DRAWING AND ITEMS SHOWN ON THIS  
 DRAWING ARE SUBJECT TO CHANGE  
 AT ANY TIME.